

ESL1040A2 PIN-Schottky Diode Limiter

1.0 to 4.0 GHz Broadband



Technical Characteristics

Product Features

Power Handling: 1 watt CW, 100W peak power
 (1 usec Pulse Width, 0.1% Duty Cycle Derated to 20% @ +125 °C)
 Internal DC return
 Fast recovery time - 200µS typ.
 Limiting threshold above +4dBm typ. & below typ. output leakage
 Low insertion loss

Maximum Ratings

Storage Temperature:	-65 to +125°
Operating Temperature:	-55 to +90°
Input power:	1 watt CW, 100 watts peak

Product Export Classification

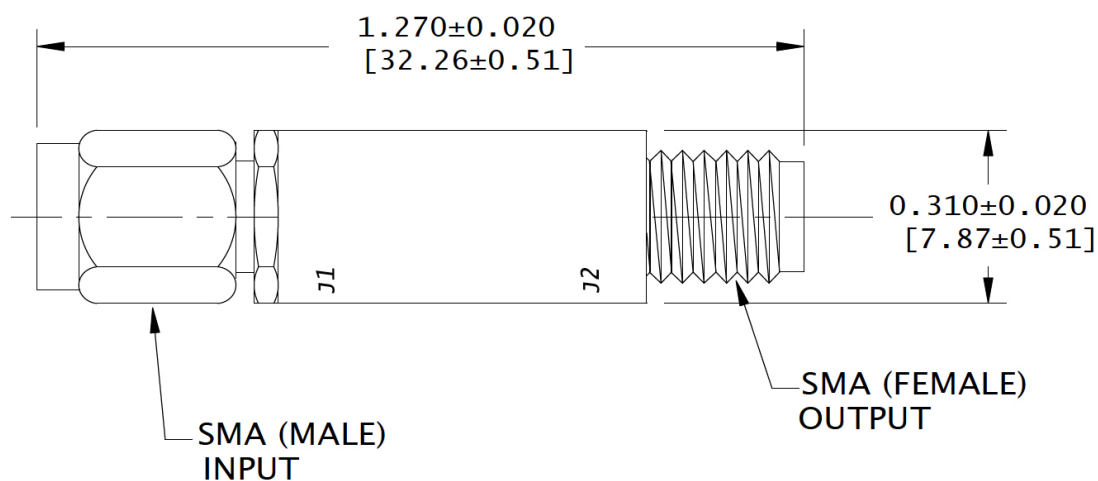
ECCN: EAR 99 (unless otherwise specified)
 HTS: 85543.70.8000

Specifications @ +25°C & -10 dBm input power.

Electrical Specifications

Parameters	Freq. (GHz)	Min.	Typical	Max.	Units
Insertion Loss	1.0 to 4.0		0.8		dB
VSWR	1.0 to 4.0		1.5:1		-
Leakage Power (CW)	1.0 to 4.0			16.0	dBm CW
				20.0	dBm Peak
Operating Temperature		-55		90	°C

Outline drawing



Notes:

1. Limiter has an internal DC block.
2. Typical values are measured at +25°C and are not guaranteed.